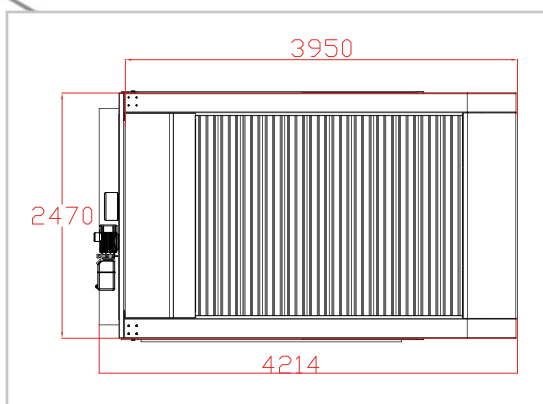
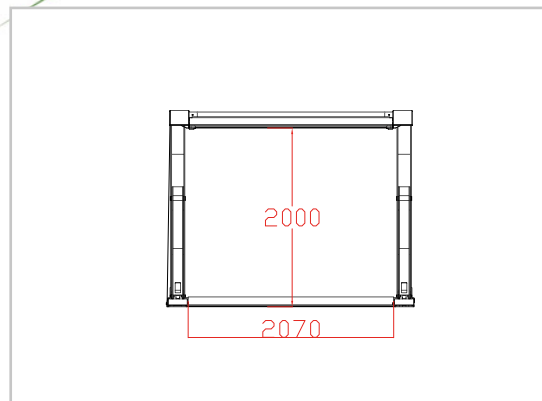
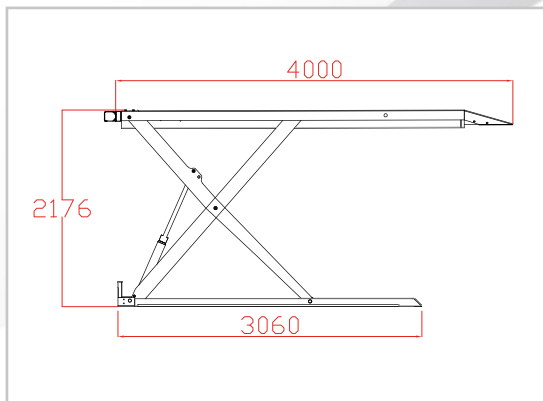


SCISSOR CAR PARKING LIFT (PSL25/2000)

- Foldable structure design free of side posts to occupy minimal footprint in narrow spaces.
- Possibility to stack multiple-units side-by-side to double your parking capacity.
- Lifting height up to 2100 mm enables big cars to park on ground level.
- Single stage dual-cylinder lifting system with balance valve to ensure synchronization and balanced platform during Up & Down.
- Automatic safety lock & electromagnetic lock release.
- Wide platform with interlocking galvanized wave plates in the middle.
- Back recessed diamond plate to stop vehicle's wheels efficiently.
- Low profile entry ramp making it possible for low-riding sports cars to safely climb aboard.
- Hydraulic power unit & electric panel are fixed on the back side of the platform to save space.
- Steel parts are shot blasted then powder coated with desired color.



PARAMETERS

SCISSOR CAR PARKING LIFT (PSL)

Model	PSL25/2000
Lifting Capacity	2000 Kg
Lifting Height	2000 mm
External Dimensions	4214 x 2470 x 2176 mm
Runway Width	2070 mm
Operation System	Direct lifting cylinders. Back electric panel & push-button controls
Lock Release	Electromagnetic lock release
HPU / Voltage	2.2 Kw / 220 V - 380 V / 50 Hz- 60 Hz / 1 Ph - 3 Ph